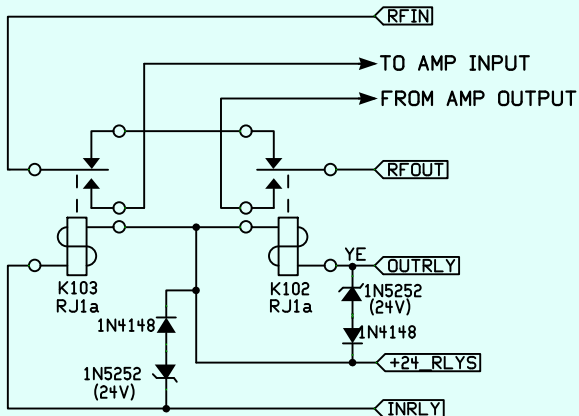


QSK T/R RELAY SWITCHING

The schematic diagram in QST did not show protection diodes across the vacuum relay coils. Builders should add diodes shown here to protect the QSK switching transistors from inductive voltage spikes.



NOTE: Add diodes directly across the vacuum relay coils. Be careful to observe correct orientation. (The cathodes are the banded ends of the diodes.)

Although 24V zener diodes are shown here, any low power zener from 18V-30V is acceptable.