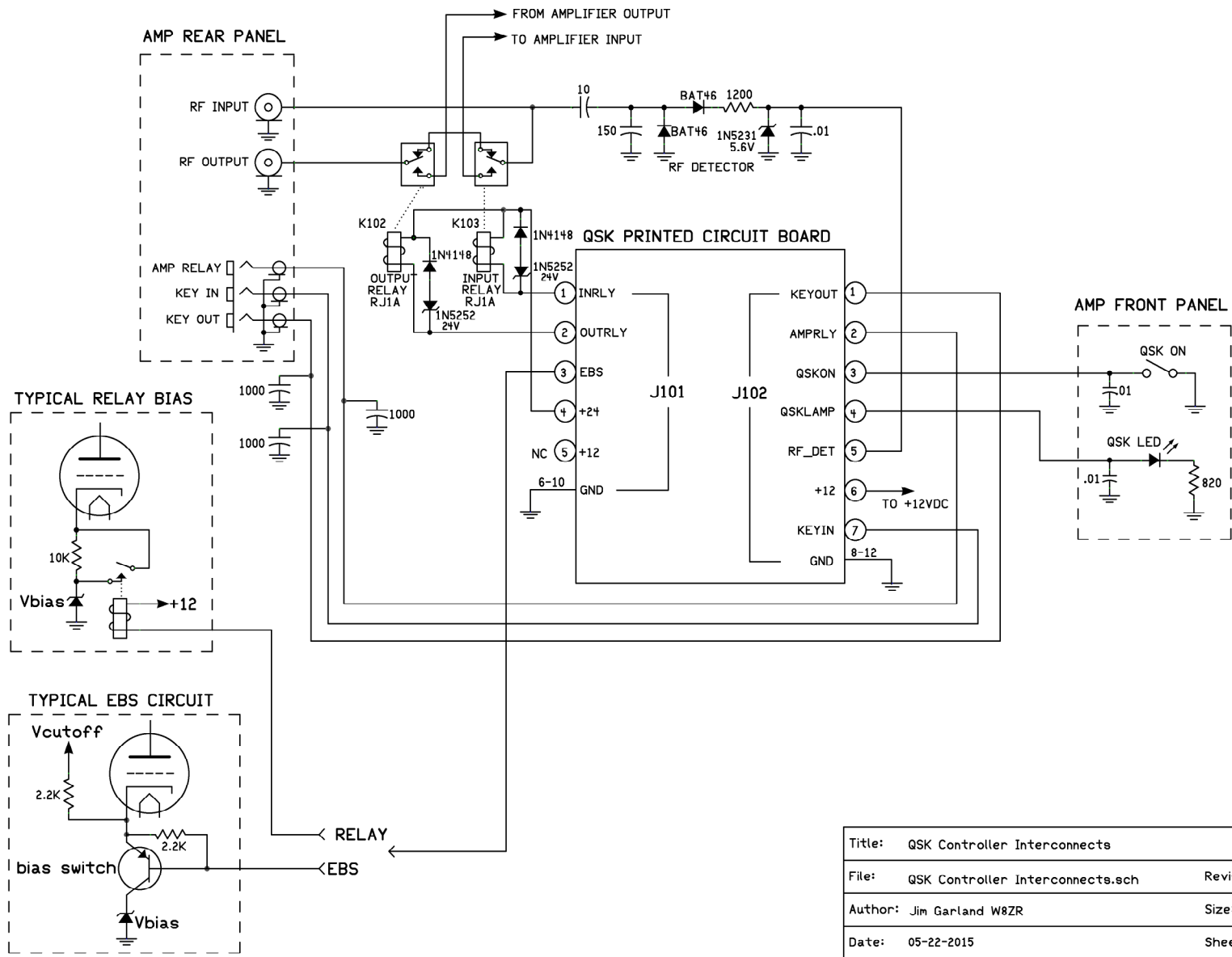


Revision B0: R123 (10K) added to PCB

Title: QSK Controller © 2014	Revision: B0
File: QSK Controller_B0.sch	Size: A
Author: Jim Garland W8ZR	Sheet 1 of 1
Date: 04-16-2014	



Title: QSK Controller Interconnects		
File: QSK Controller Interconnects.sch	Revision: B0	
Author: Jim Garland W8ZR	Size: A	
Date: 05-22-2015	Sheet 1 of 1	