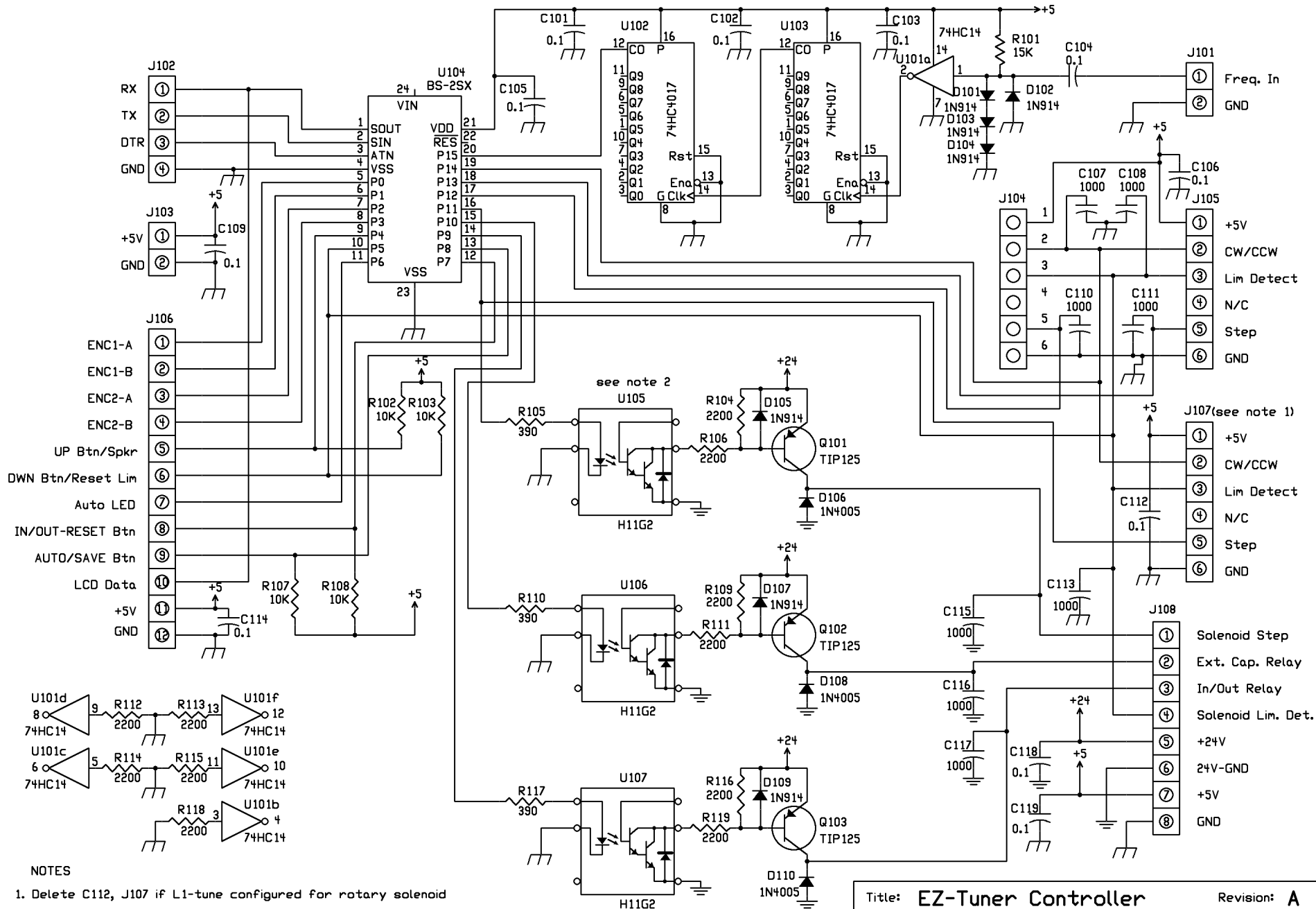


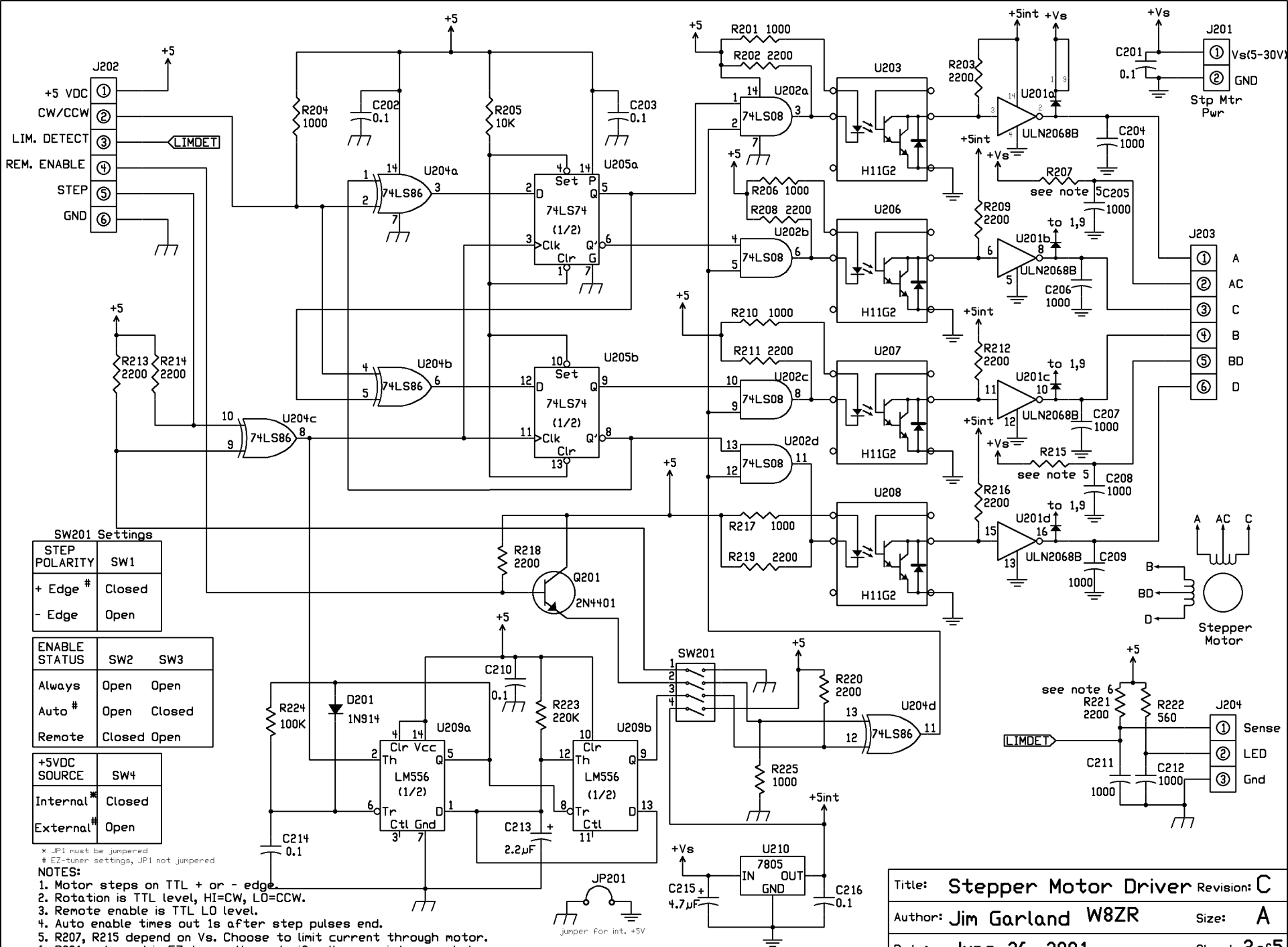
Title: EZ-Tuner - Chassis	Revision: A
Author: Jim Garland W8ZR	Size: A
Date: June 14, 2001	Sheet 1 of 5



NOTES

1. Delete C112, J107 if L1-tune configured for rotary solenoid
2. Delete D105, D106, Q101, R104, R105, R106, U105 if L1-tune configured for stepper motor

Title: EZ-Tuner Controller	Revision: A
Author: Jim Garland W8ZR	Size: A
Date: June 18, 2001	Sheet 2 of 5



SW201 Settings

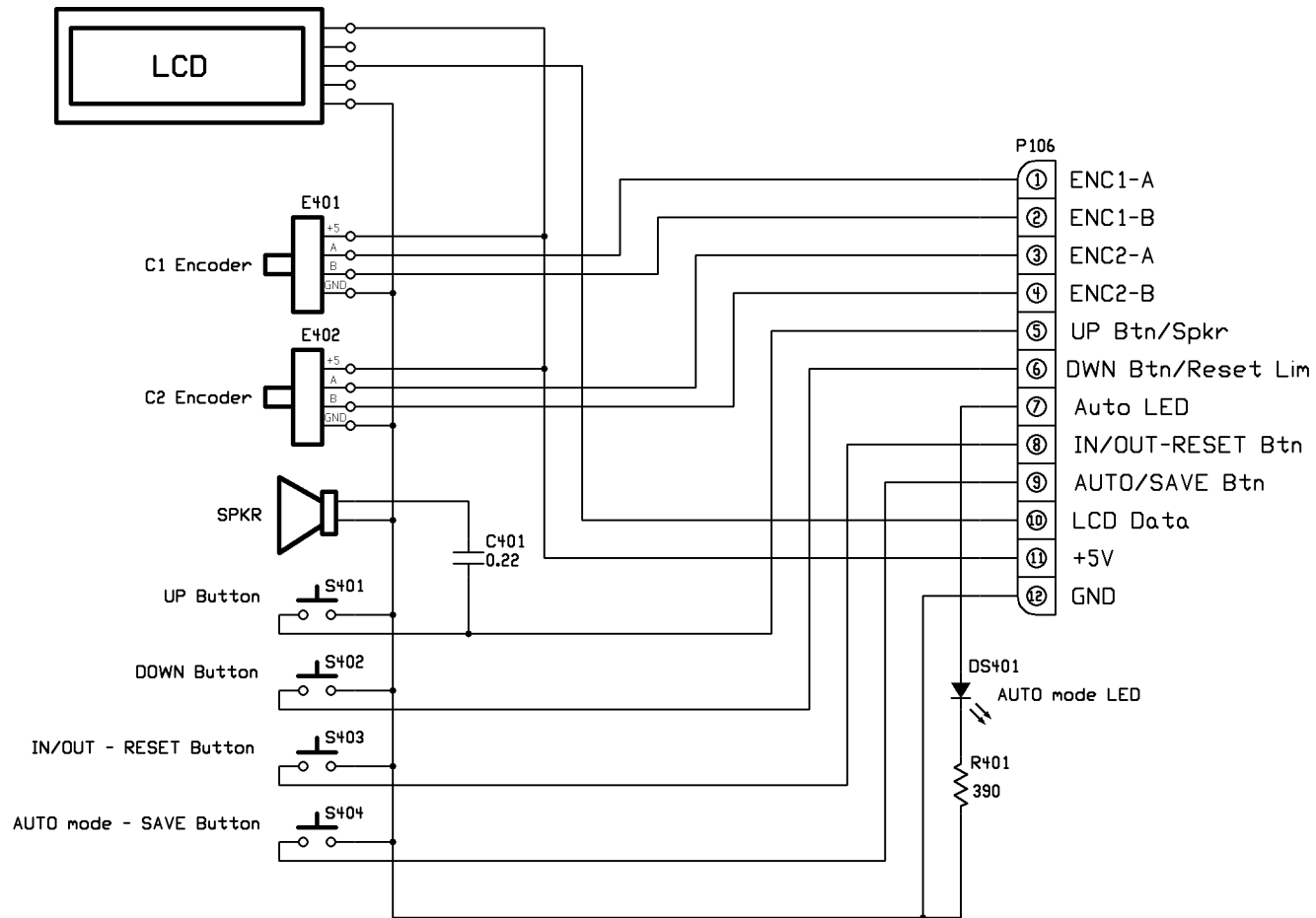
STEP POLARITY	SW1
+ Edge #	Closed
- Edge	Open

ENABLE STATUS	SW2	SW3
Always	Open	Open
Auto #	Open	Closed
Remote	Closed	Open

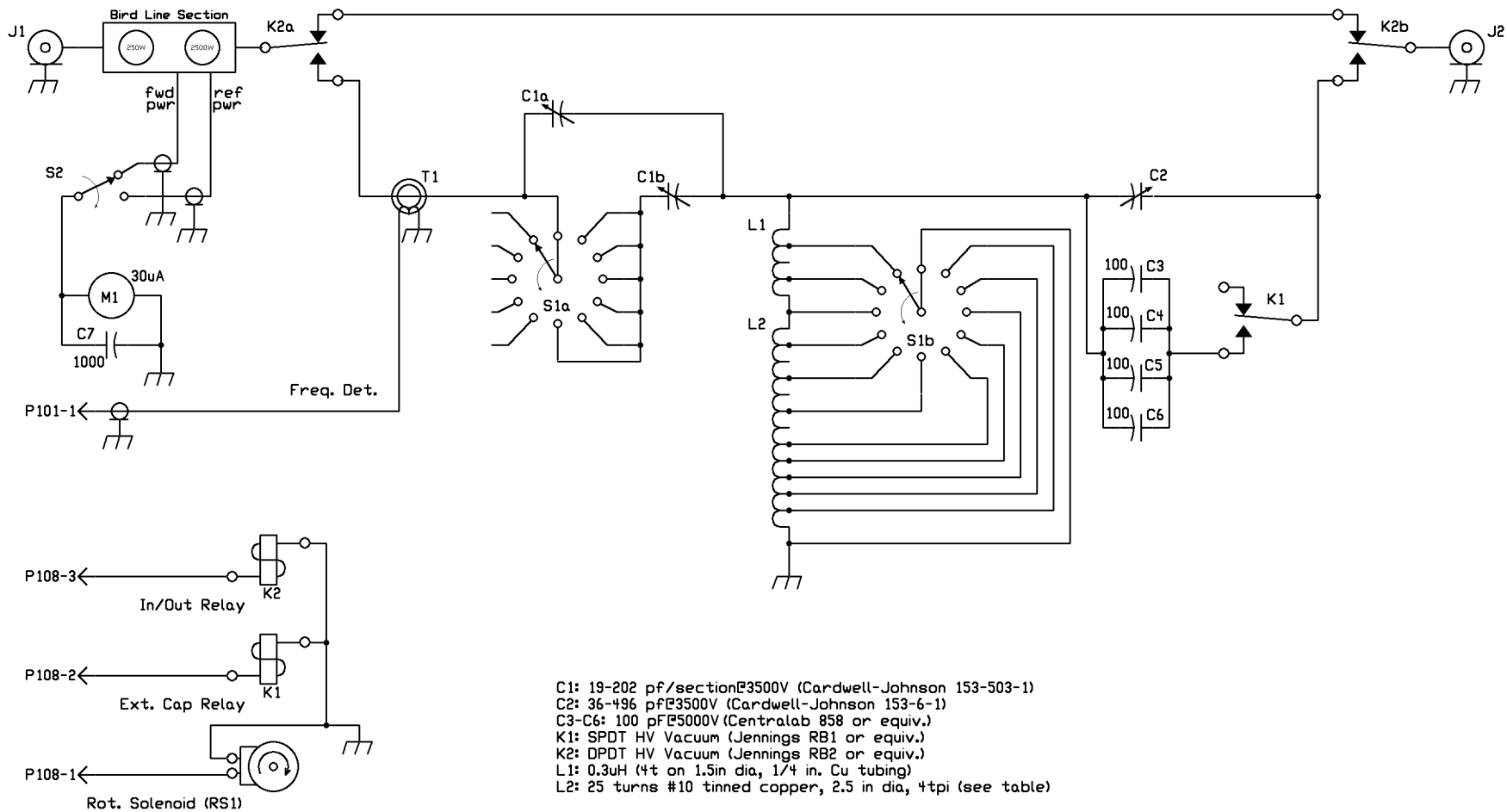
+5VDC SOURCE	SW4
Internal #	Closed
External #	Open

* JP1 must be jumpered
EZ-tuner settings, JP1 not jumpered

- NOTES:**
1. Motor steps on TTL + or - edge.
 2. Rotation is TTL level, HI=CW, LO=CCW.
 3. Remote enable is TTL LO level.
 4. Auto enable times out 1s after step pulses end.
 5. R207, R215 depend on Vs. Choose to limit current through motor.
 6. R221 not used in EZ-tuner. Use only if pull-up resistor needed.



Title: EZ-Tuner Fr. Panel	Revision: A
Author: Jim Garland W8ZR	Size: A
Date: June 11, 2001	Sheet 4 of 5



Title: EZ-Tuner RF Deck	Revision: A
Author: Jim Garland W8ZR	Size: A
Date: Aug. 26, 2001	Sheet 5 of 5