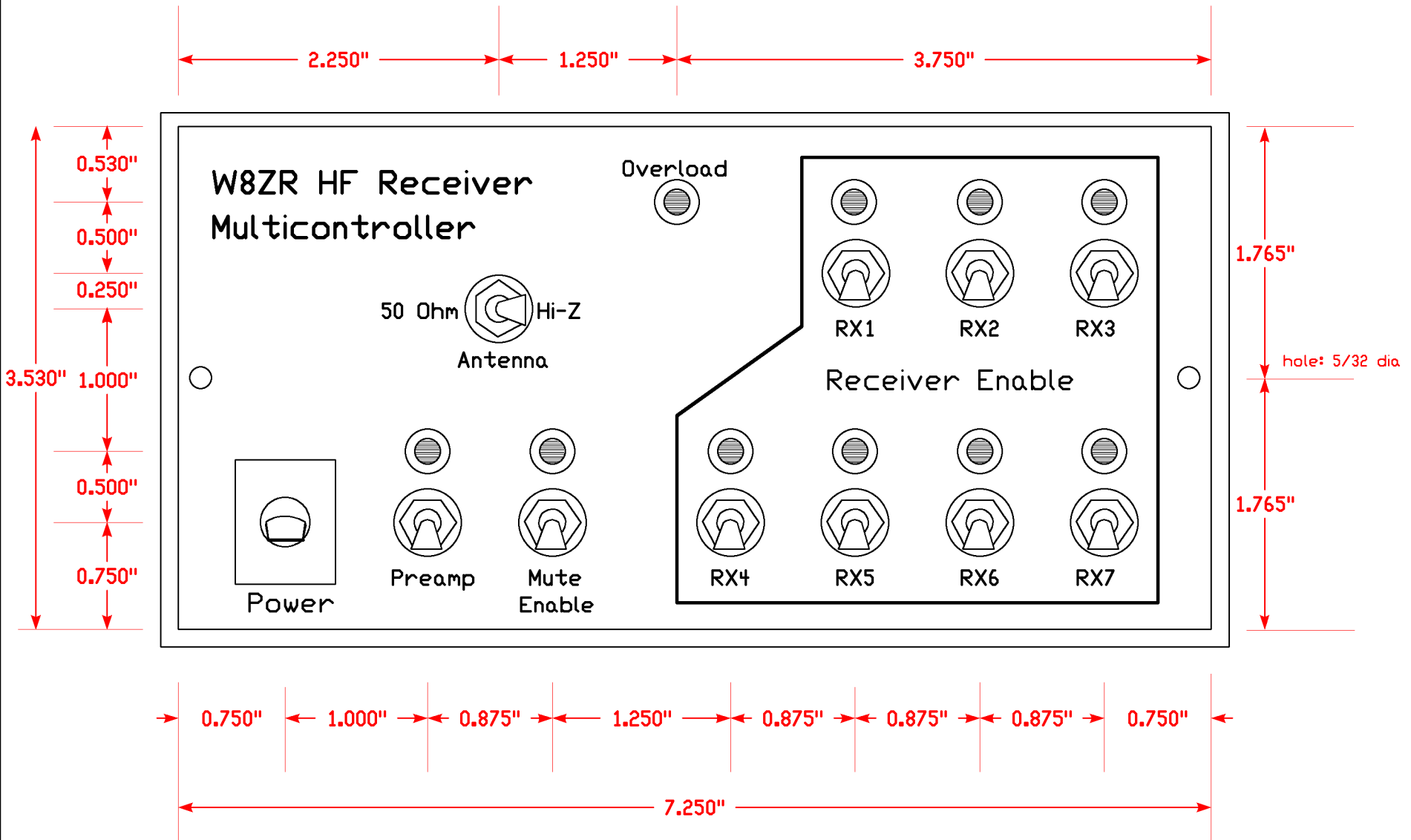
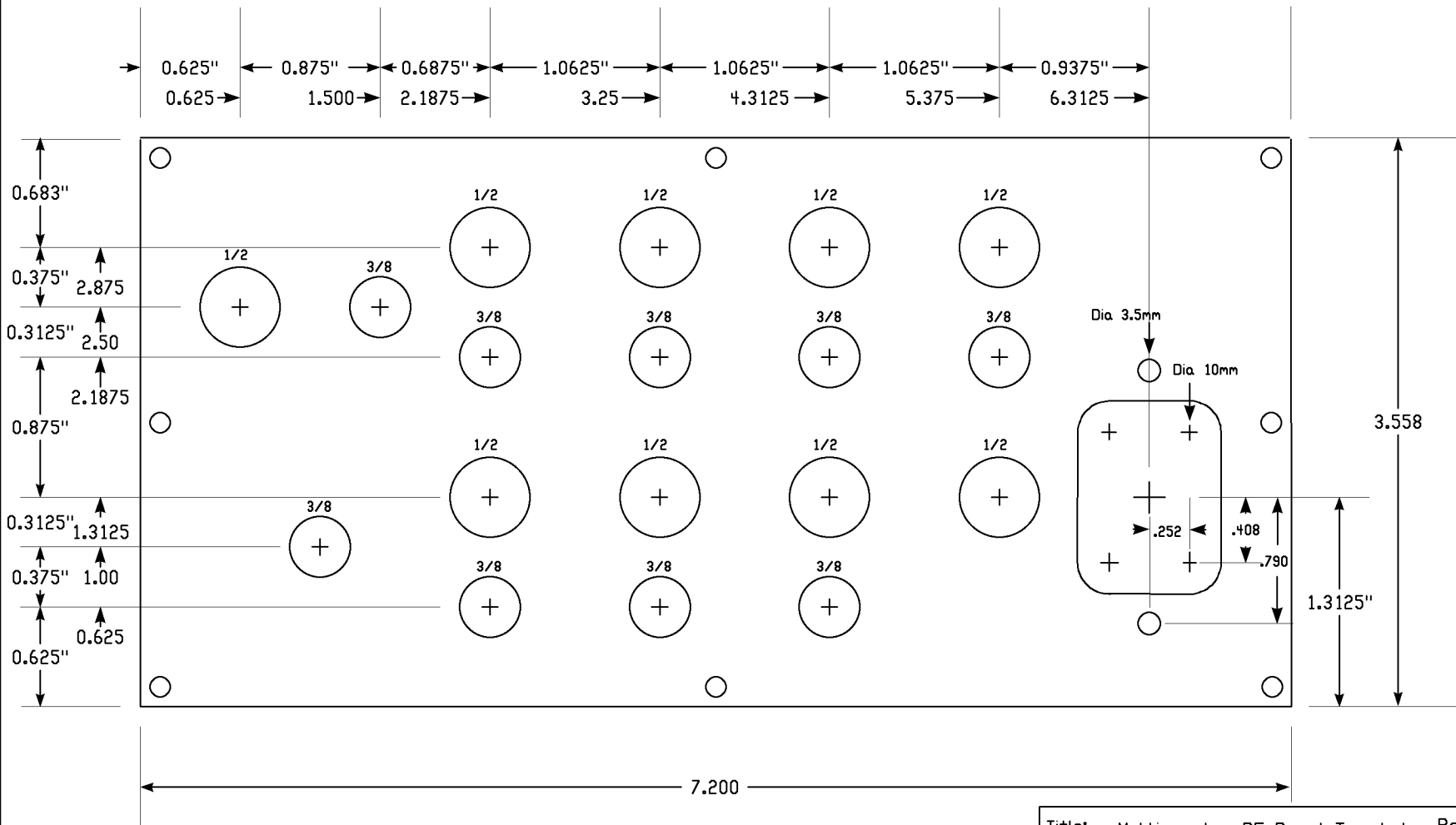


Title: FR Panel Template - Multicoupler	Revision: A
Author: J.C. Garland W8ZR	Size: A
Date: 1 Mar 2003	Sheet 1 of 1



Title: RX Multicontroller - FR Panel Layout	Revision: A1
Author: J.C. Garland W8ZR	Size: A
Date: 10 May 2003	Sheet 1 of 1

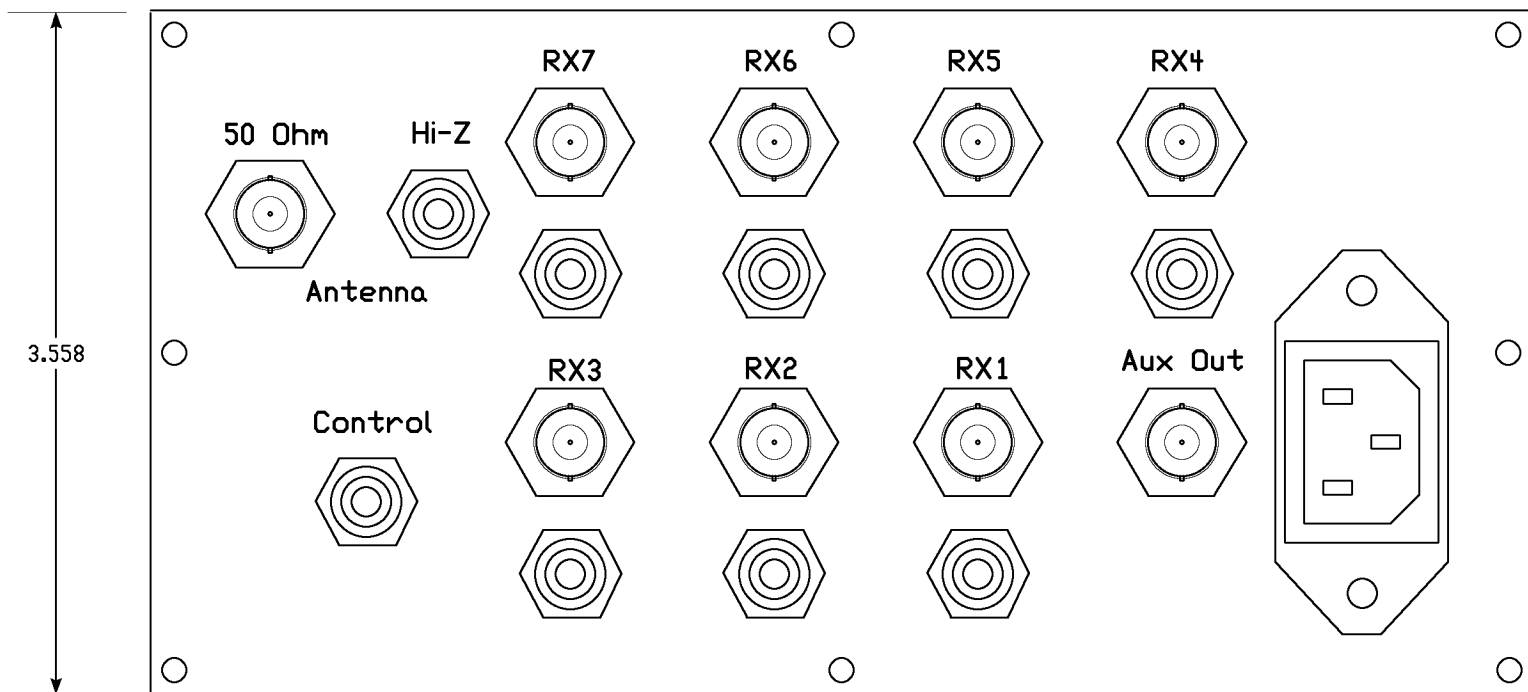


Title:	Multicoupler RE Panel Template	Revision:	A
Author:	J.C. Garland W8ZR	Size:	A
Date:	March 01, 2003	Sheet	1 of 1

Drill tape data

Tool Code	Hole Size	Sym bol	Hole Count

Board type: FR4
Board thickness: .062"



Title: RX Multicontroller - RE Panel Layout	Revision: A
Author: J.C. Garland W8ZR	Size: A
Date: 15 Mar 2003	Sheet 1 of 1