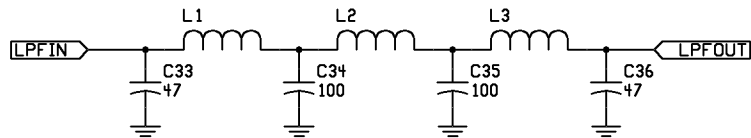
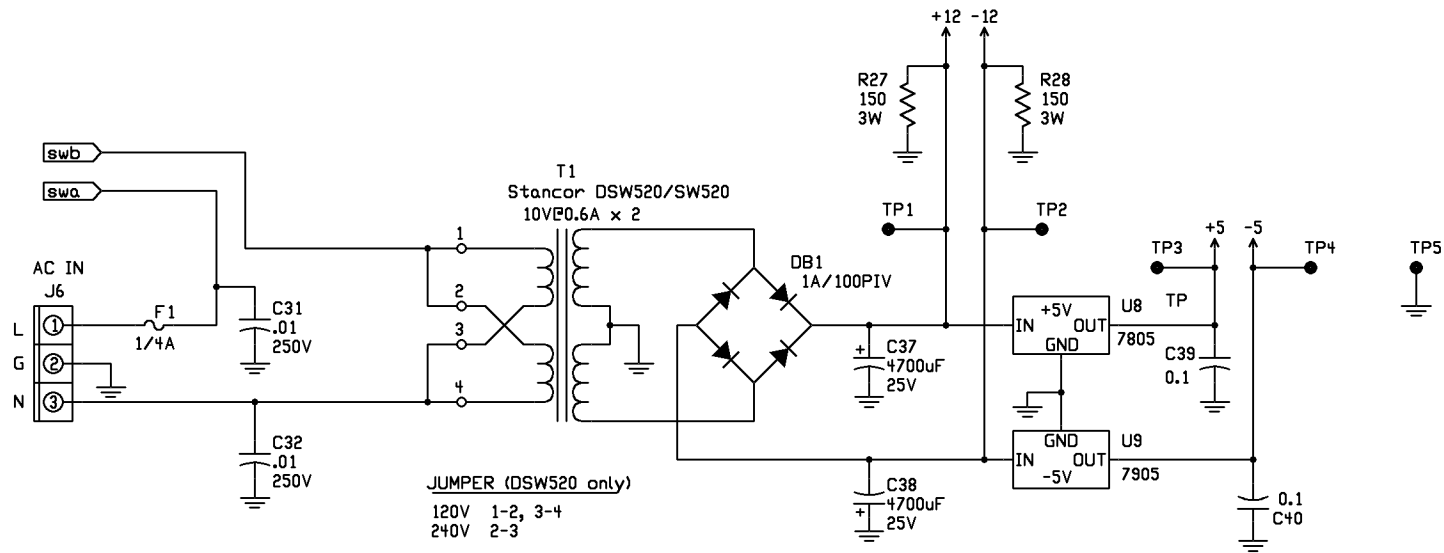


Title: RX Multicontroller - Main Revision: A3

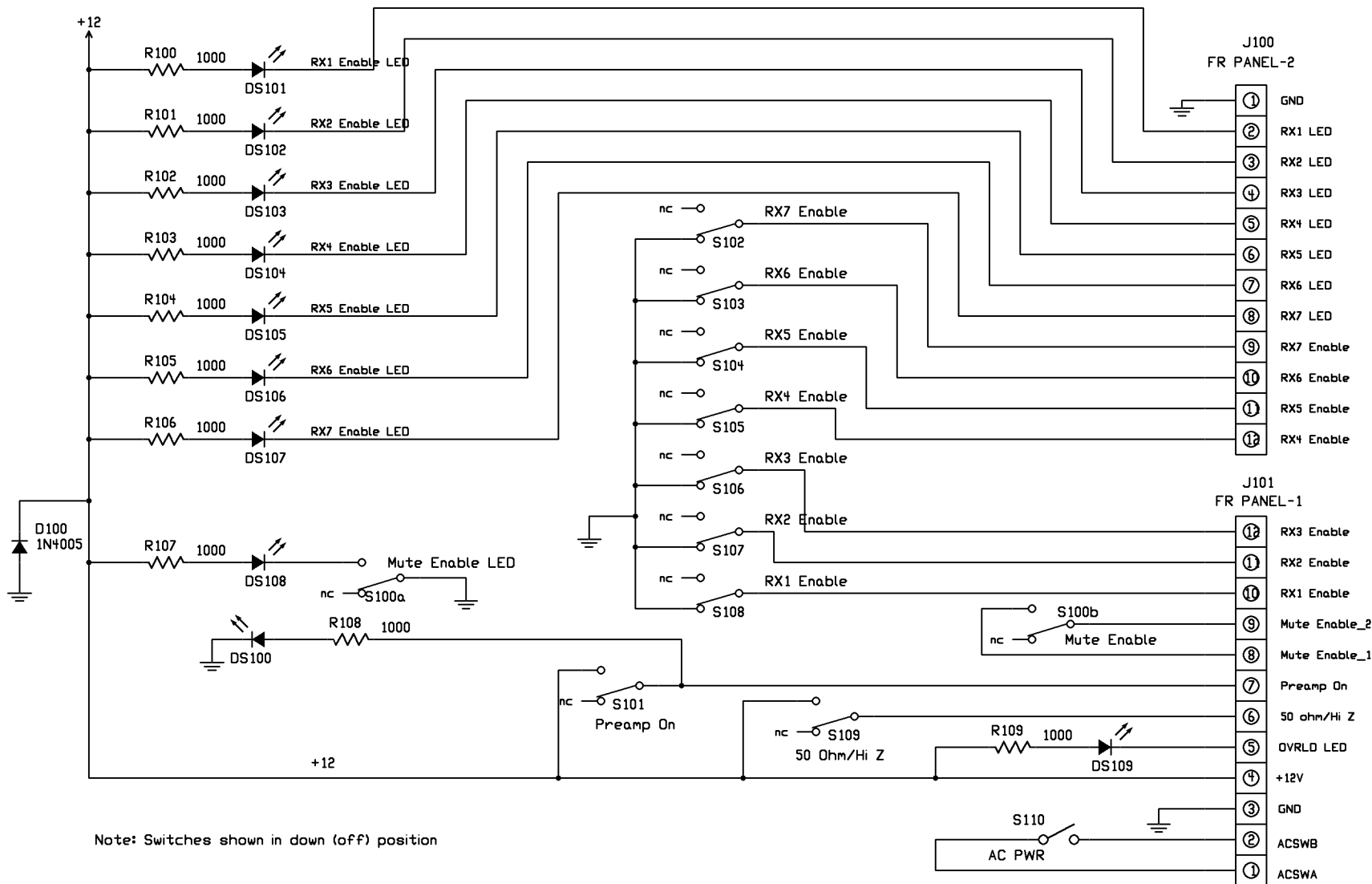
Author: J.C. Garland W8ZR Size: A

Date: 24 July 2003 Sheet 1 of 5

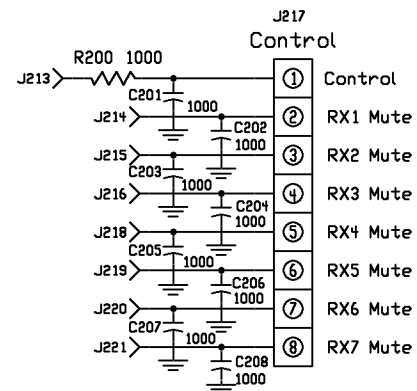
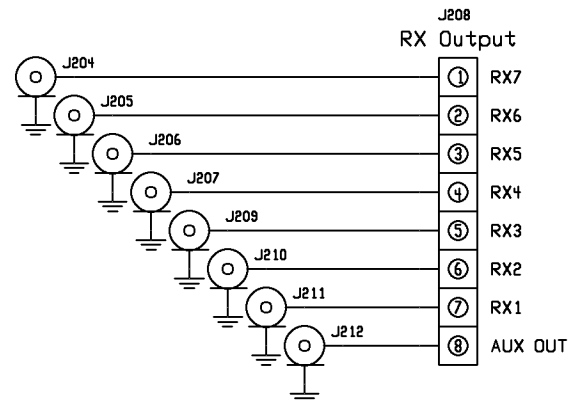
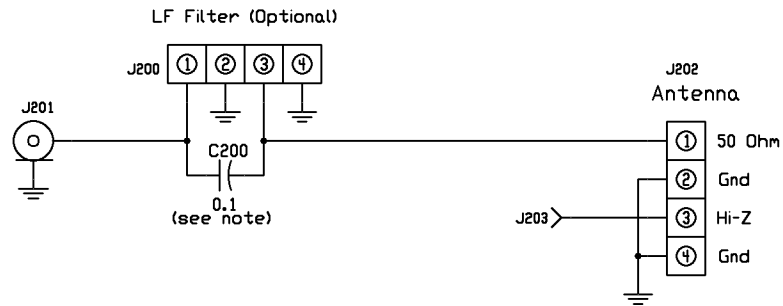


VHF Low Pass Filter

L1, L3: 8 turns 22AWG enameled wire, wound on 1/4-20 screw, used as former.  
 L2: 9 turns 22AWG enameled wire, wound on 1/4-20 screw, used as former.

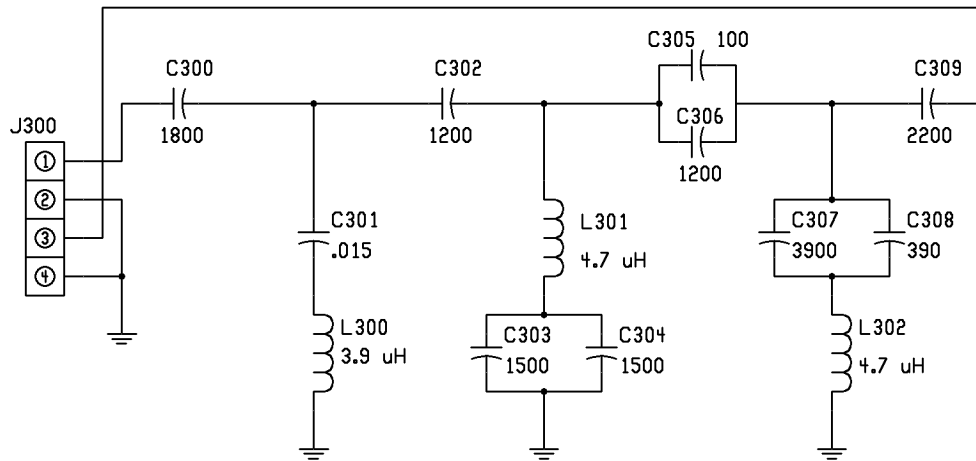


Note: Switches shown in down (off) position



NOTE: C200 not used if LF filter is installed

Title:	RX Multicontroller - RE Panel Revision: A1	
Author:	J.C. Garland W8ZR	Size: A
Date:	10 May 2003	Sheet 4 of 5



NOTES:

1. All capacitors 50V polystyrene or polypropylene
2. L300: Vishay/Dale 3.9 uH, Mouser p/n 70-IM2-3.9  
L301, L302: Vishay/Dale 4.7 uH, Mouser p/n 70-IM2-4.7

Title: RX Multicontroller

Board: AM/VLF Filter 0-1.8 MHz

Revision: A

Author: J.C. Garland W8ZR

Size: A

Date: 24 July 2003

Sheet 5 of 5