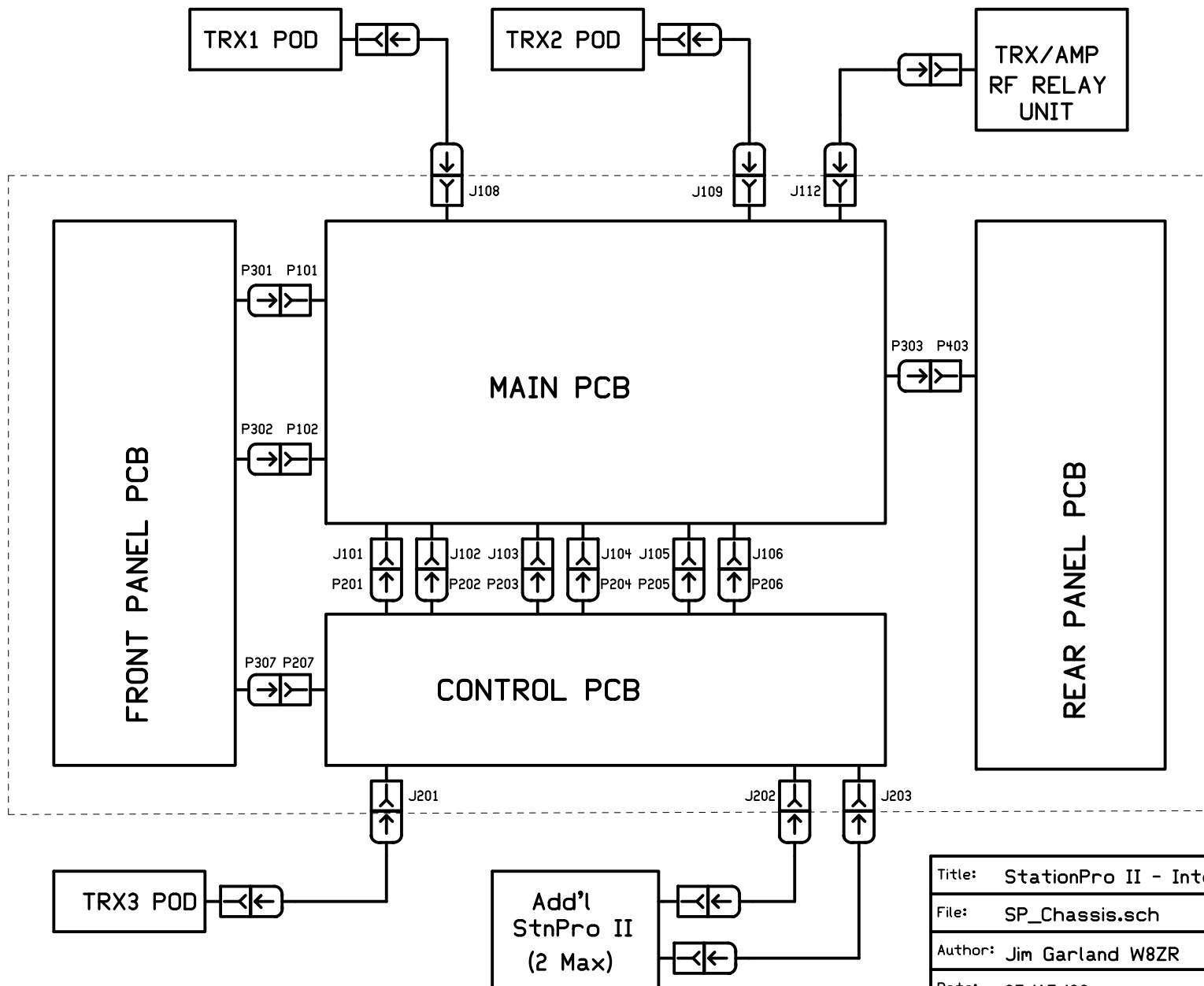
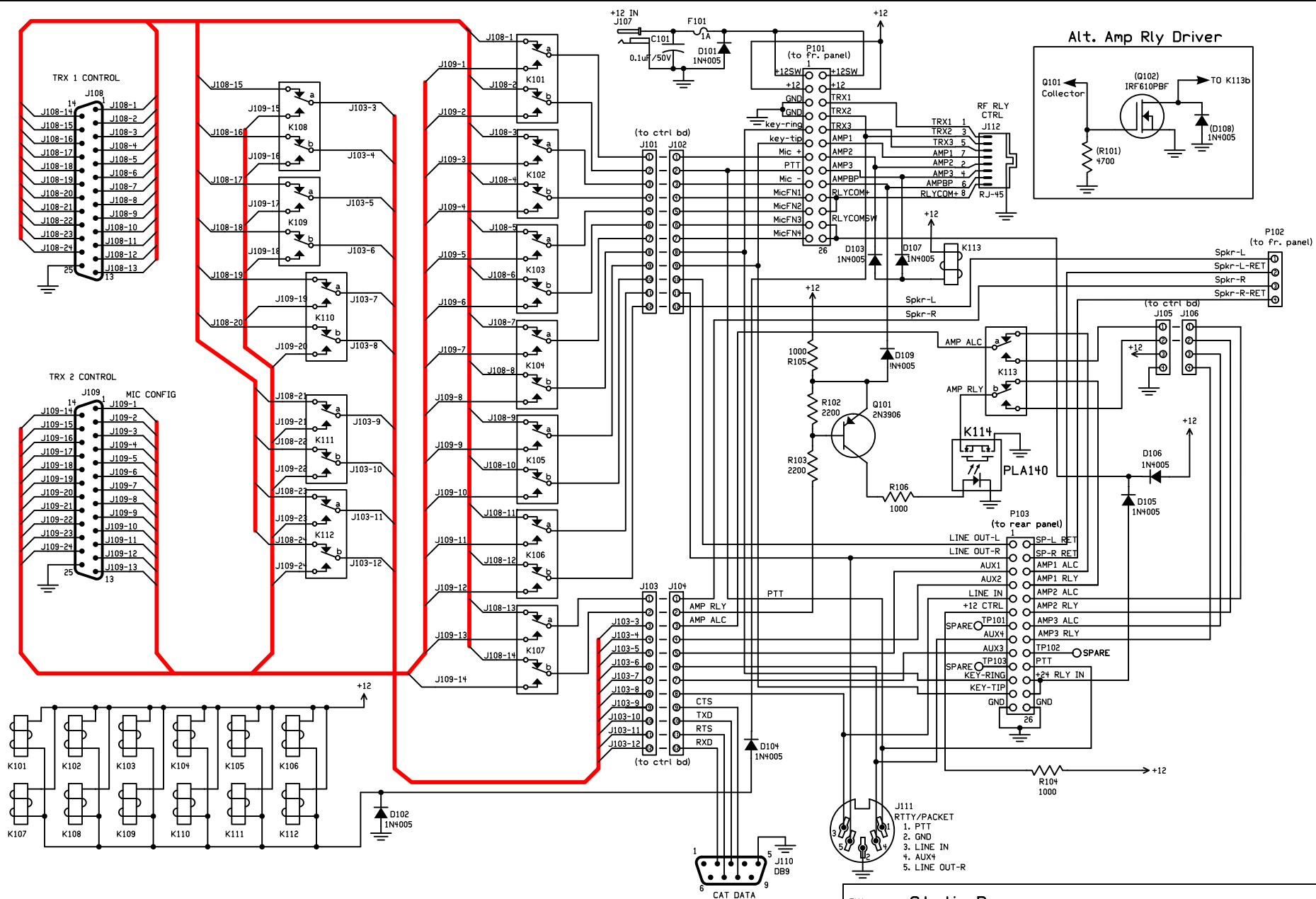


Title:	StationPro II	
Dwg.	Interconnections	Revision: A
Author:	Jim Garland W8ZR	Size: A
Date:	08-06-2009	Sheet 1 of 1



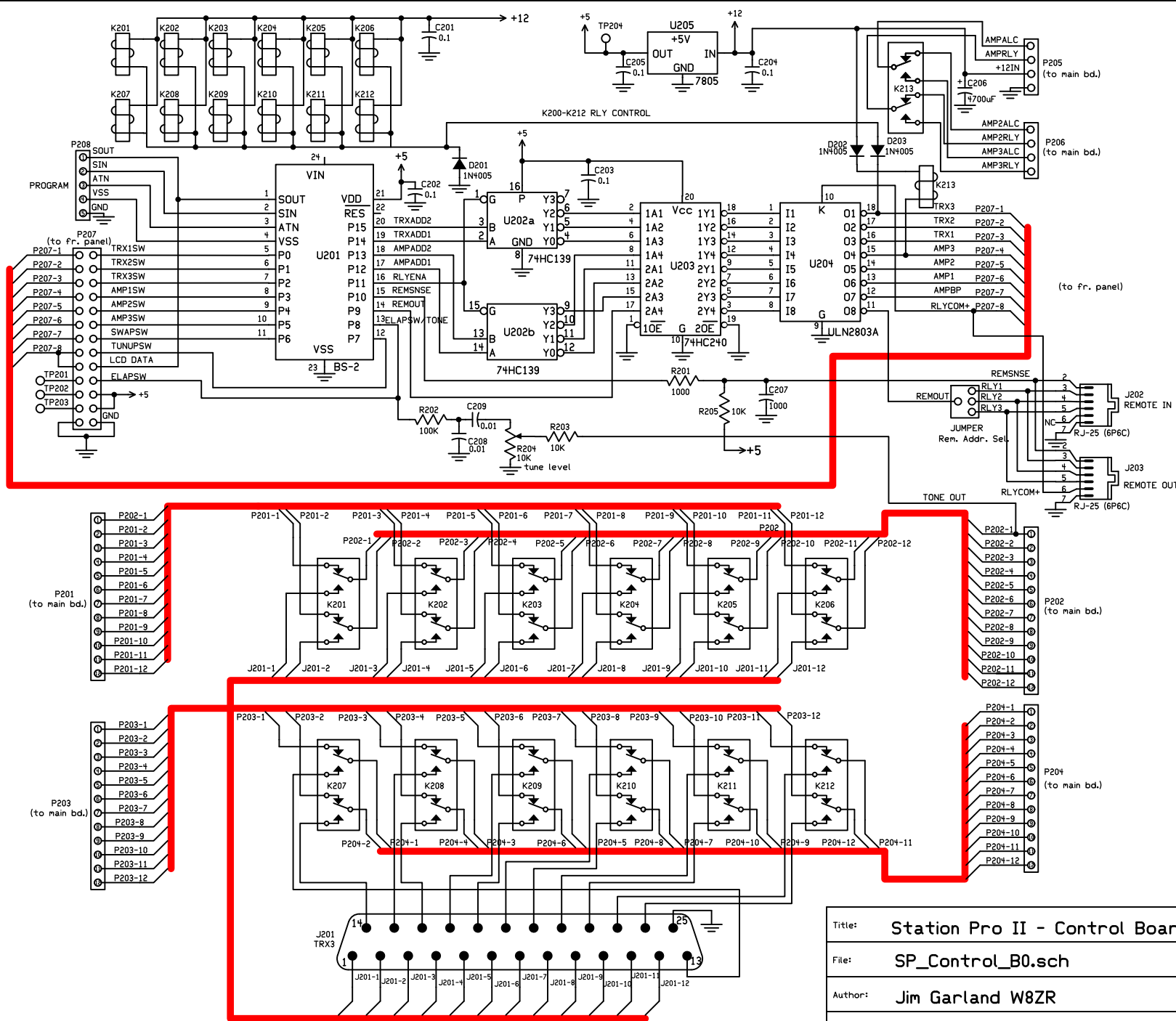
Title:	StationPro II - Interconnections	
File:	SP_Chassis.sch	Revision: A
Author:	Jim Garland W8ZR	Size: A
Date:	07/17/09	Sheet 1 of 1



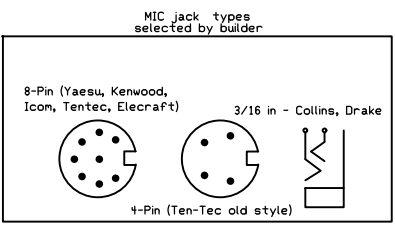
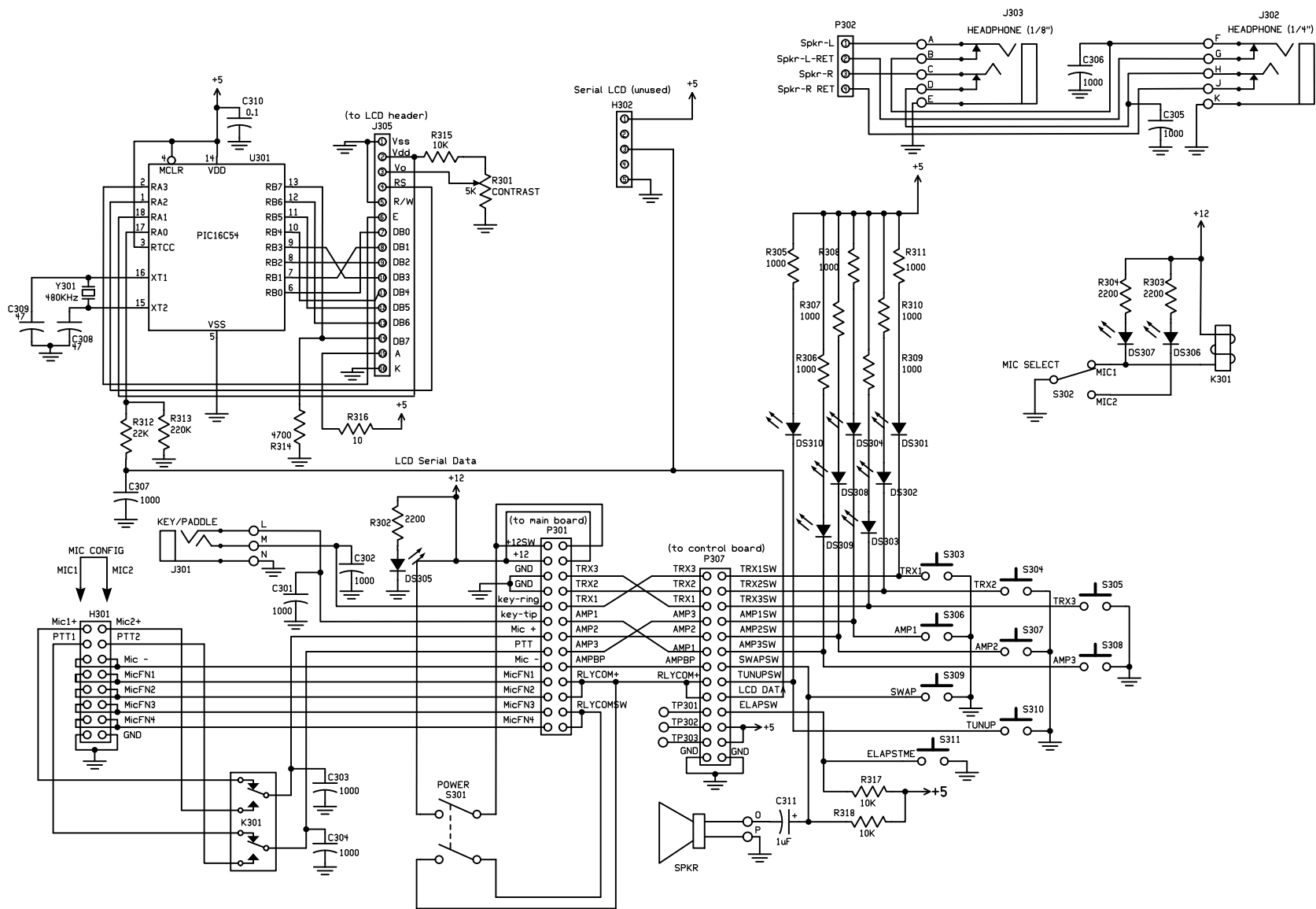
NOTES: (1) For StationPro I version only:
 Jumper J101 to J102 & J103 to J104 (all pins),
 and J105 to J106 (pins 1, 2) only.

(2) For 3A amp relay keying (pos. V only), install
 R101, Q102 and D108, and delete K114 and R106

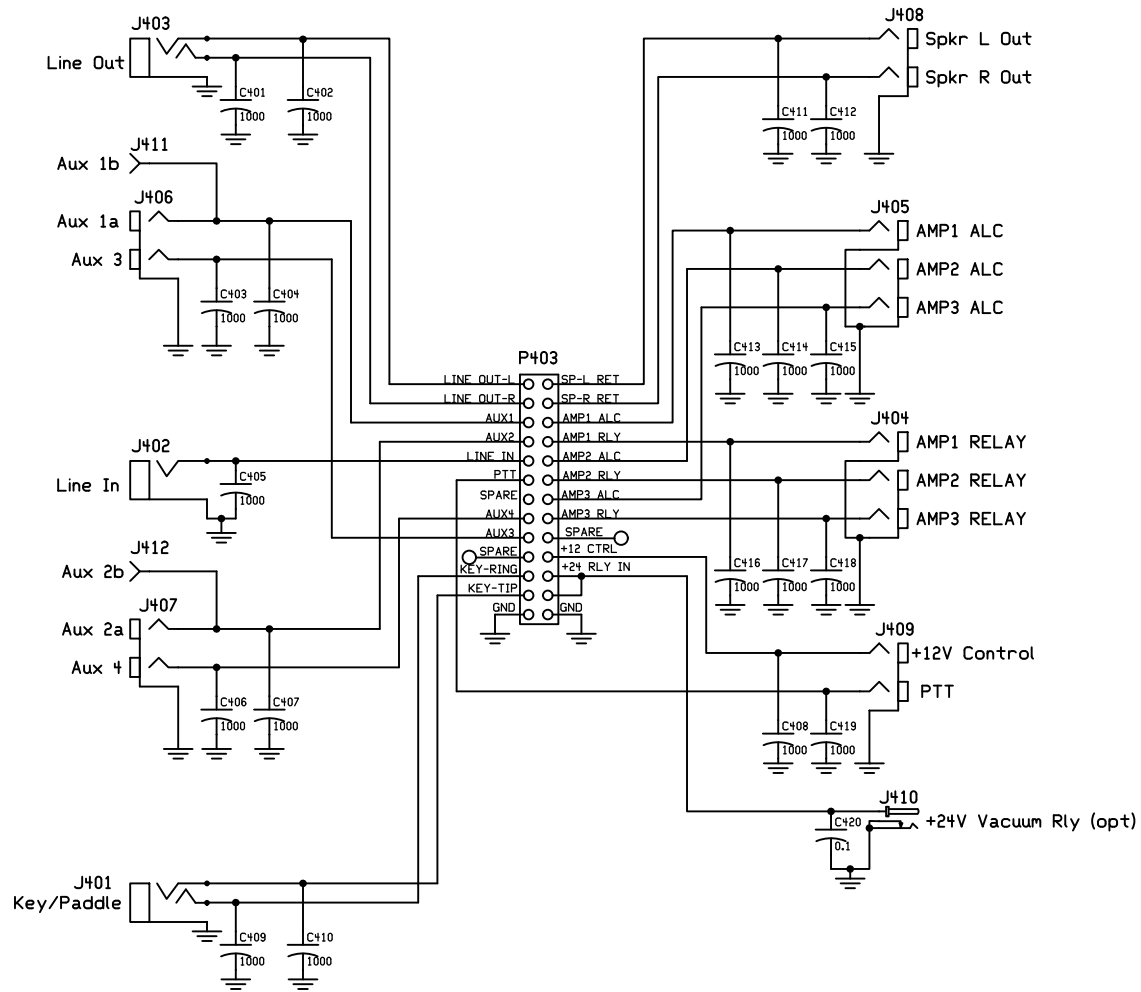
Title:	StationPro	
Board:	SP_Main_C0.sch	Revision: C0
Author:	Jim Garland W8ZR	Size: A
Date:	06/07/2009	Sheet 1 of 1



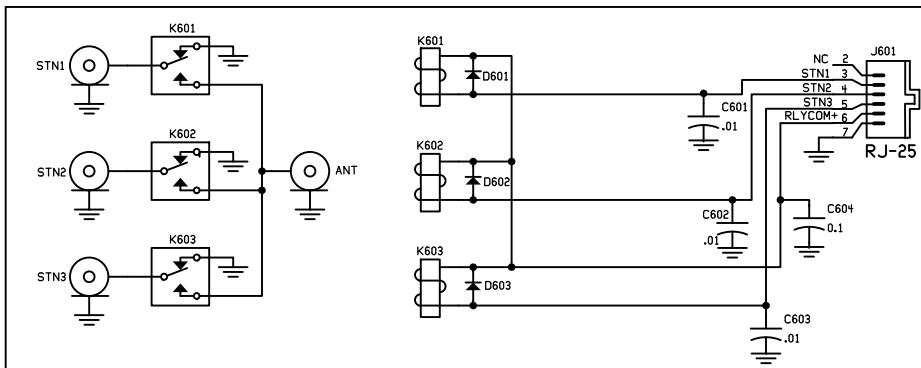
Title:	Station Pro II - Control Board	
File:	SP_Control_B0.sch	Revision: B0
Author:	Jim Garland W8ZR	Size: A
Date:	07-31-2010	Sheet 1 of 1



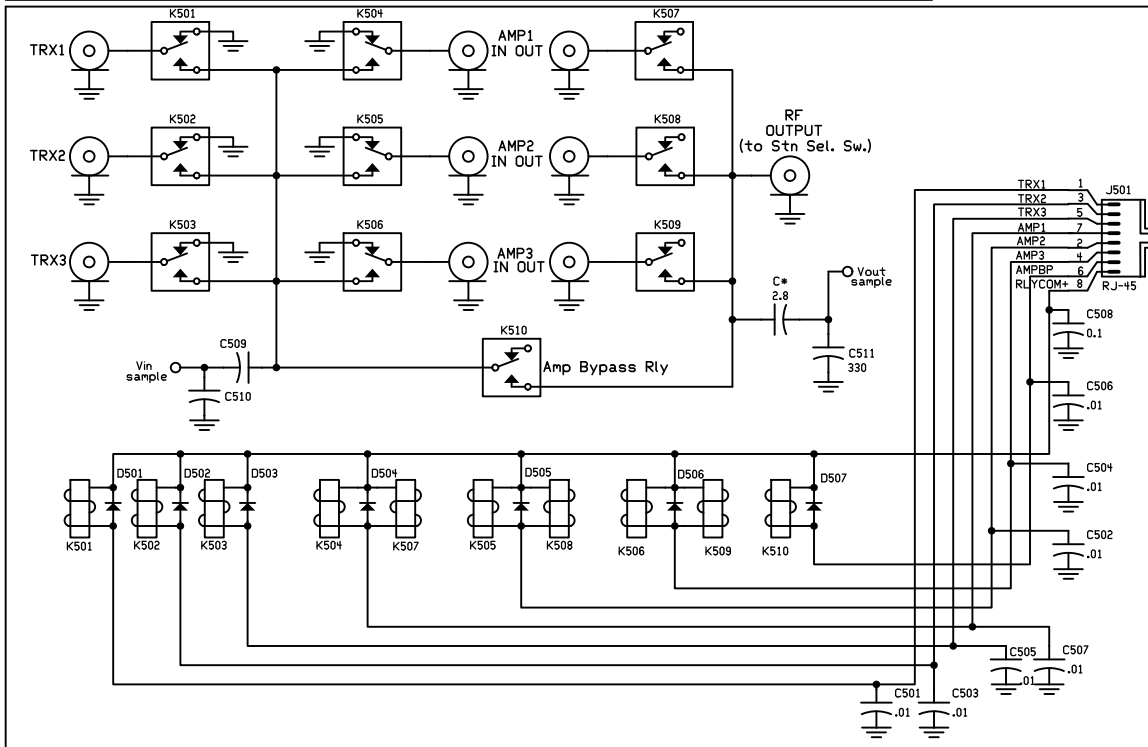
Title:	StationPro II	
Board:	SP_FpanelII.sch	Revision: A2
Author:	Jim Garland W8ZR	Size: A
Date:	03/31/2009	Sheet 1 of 1



Title: StationPro Rear Panel	
File: SP_Rpanel.sch	Revision: A2
Author: Jim Garland W8ZR	Size: A
Date: 01/21/2009	Sheet 1 of 1



STATION SEL. SWITCH



RF REMOTE SWITCH

NOTE: C* (2.8pF) is part of PCB pattern
 May be changed to 1.4pF by cutting trace

Title:	Station Pro I & II Remote RF Relays	
File:	SM_RFrls.sch	Revision: A1
Author:	Jim Garland W8ZR	Size: A
Date:	08/08/2008	Sheet 1 of 1